

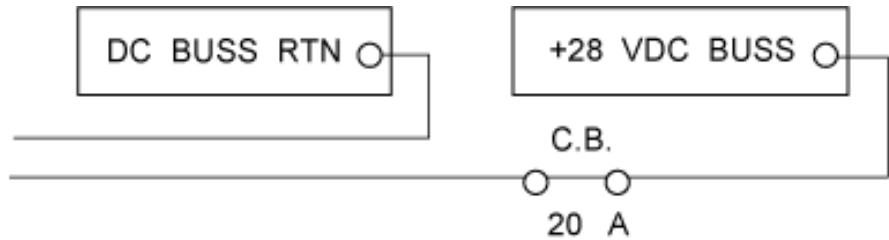
SE25

TSO'D 250 VA THREE PHASE STATIC INVERTER

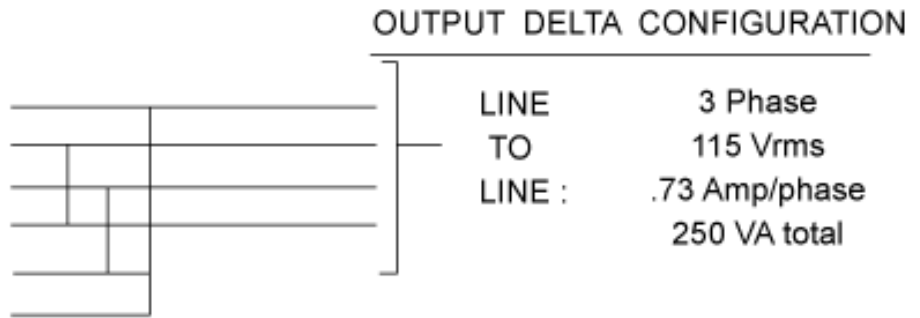
External Wiring

J1 DESCRIPTIONS

E DC INPUT RTN
F 28 VDC INPUT

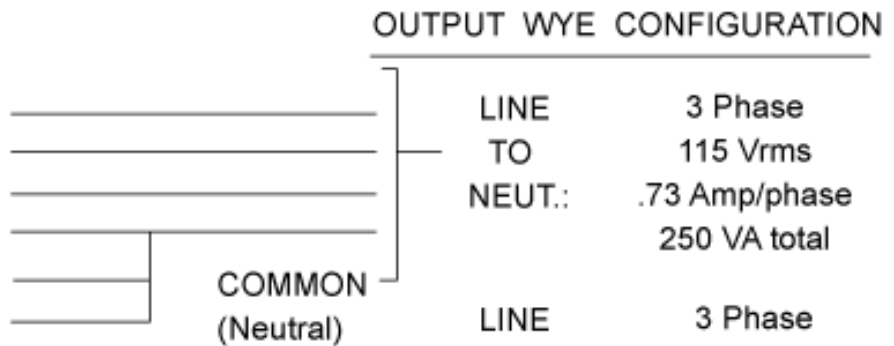


A 115V OUTPUT ϕ A
B 115V OUTPUT ϕ B
C 115V OUTPUT ϕ C
D OUTPUT RTN ϕ A
H OUTPUT RTN ϕ B
J OUTPUT RTN ϕ C
G NO CONNECTION
K NO CONNECTION
L NO CONNECTION



LINE TO LINE : 3 Phase
115 Vrms
.73 Amp/phase
250 VA total

A 115V OUTPUT ϕ A
B 115V OUTPUT ϕ B
C 115V OUTPUT ϕ C
D OUTPUT RTN ϕ A
H OUTPUT RTN ϕ B
J OUTPUT RTN ϕ C
G NO CONNECTION
K NO CONNECTION
L NO CONNECTION



LINE TO NEUT.: 3 Phase
115 Vrms
.73 Amp/phase
250 VA total

LINE TO LINE: 3 Phase
200 Vrms
.42 Amp/phase
250 VA total

NOTES:

1. THE RECOMMENDED MATING PLUG TO J1 IS MS3106R24-20S PER MIL-C-5015.
2. AC RETURNS ARE INTERNALLY CONNECTED THROUGH $1\mu\text{F}$ 200V AC CAPACITOR TO CHASSIS GROUND.